

Package Reciprocating
Compressor

By **itc**

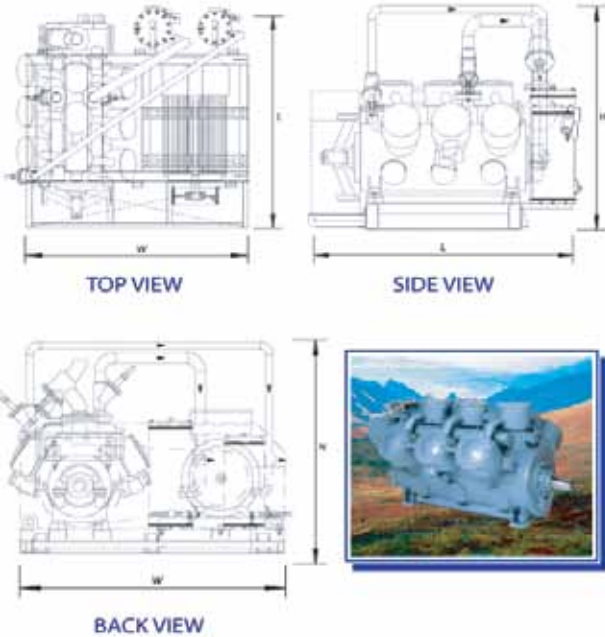


Package Reciprocating Compressor

By **itc**



RCU Series



Suction And Discharge Valve

Composite material suction and discharge valve plates ensure high efficiencies and long service life. Optimum valve selection for different conditions. Increased flow capacity, high robustness of the dynamically loaded component.

Suction Valve Lifting

Hydraulic valve lifting mechanism for individual cylinders.

Lubrication System

The lubrication system consisting of the oil pump, oil filters and oil pressure regulator is a self-contained module without any external piping.

Bearings

High quality low load radial and axial bearings with excellent sliding and running properties ensuring low wear.

Piston/Connecting Rod Assembly and Cylinder Liner

Light metal aluminium alloy piston and connecting rod. Easily removable via the top of each cylinder. Each piston is fitted with three specially coated rings ensuring low wear and low oil carry over.

Rotary Shaft Seal

A perfect gastight oil cooled seal guarantees long service life.

The Welded Steel Crankcase

The unique concept of using welded steel crankcases, which is proven in more than 40,000 Grassco compressors helps to keep discharge temperatures within limits.

Capacities at other conditions or with other refrigerants such as R134a or R404A can easily be calculated with our COMSEL compressor selection programme which is also available on the internet: www.itc-group.co.th

Refrigeration Capacities (kW)

Single-stage				
Type	NH ₃		R22	
	-15 °C	-5 °C	-15 °C	-5 °C
RC212	118.3	193.0	116.6	178.7
RC312	177.4	289.5	175.0	268.0
RC412	236.5	386.1	233.3	357.4
RC612	354.8	579.1	349.9	536.1
RC912	532.2	868.6	524.9	804.1
RC1212	709.6	1158.2	699.8	1072.2

Two-stage (system C for NH₃ system B for R22)

Type	NH ₃		R22	
	-40 °C	-30 °C	-40 °C	-30 °C
RC2112	46.0	77.2	54.8	81.6
RC3112	63.8	106.6	74.0	109.6
RC4212	92.1	154.6	109.8	163.4
RC5112	93.0	-	104.0	-
RC6312	138.1	232.2	164.7	245.1
RC7212	144.0	240.0	165.2	-
RC8412	184.4	309.6	219.7	327.6
RC9312	192.0	320.7	222.8	329.7
RC10212	186.5	-	208.4	-

Condensing temperature = +35 °C, Liquid subcooling = 5 K,
Suction superheat = 5 K, Intermediate superheat = 6 K,
Temperature difference interstage cooler = 10 K

V-belt drive unit

Compressor type (Single and two-stage)	Overall Dimensions		
	A	B	C
RCU 212	1900	1150	1400
RCU 312	2050	1200	1400
RCU 2112			
RCU 412	2000	1200	1730
RCU 3112			
RCU 612	2100	1250	1790
RCU 4212			
RCU 5112			
RCU 912	2150	1300	1680
RCU 6312			
RCU 7212			2200
RCU 1212			
RCU 8412	2150	1300	2680
RCU 9312			
RCU 10212			

**SPECIFICATIONS SUBJECT TO CHANGE WITHOUT NOTICE.
คุณลักษณะตามรายละเอียดที่ระบุไว้ สามารถเปลี่ยนแปลงได้ตามต้องการ